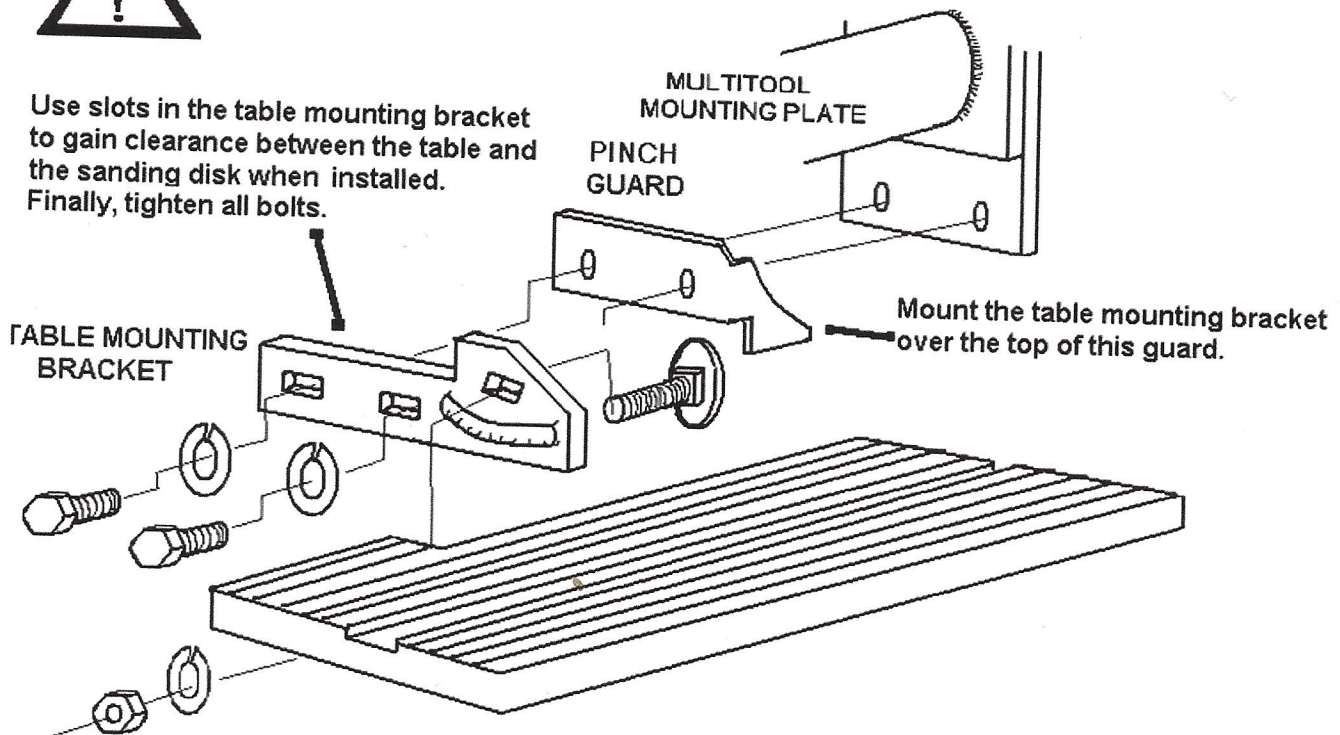


MITER TABLE MOUNTING INSTRUCTIONS

Miter Table and Pinch Guard must be fitted before operating the Multitool. Failure to correctly fit the Miter Table and Pinch Guard can result in injury to persons.



WARNING: Maintain 1/16 inch maximum clearance between table and sanding disk.